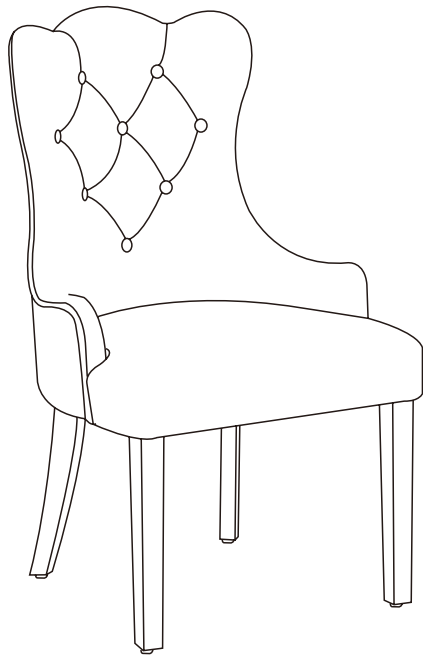

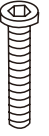
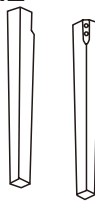

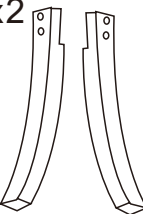


ASSEMBLY INSTRUCTION



Ax1 	Dx8 
Bx2 	Ex8 
Cx2 	Fx1 